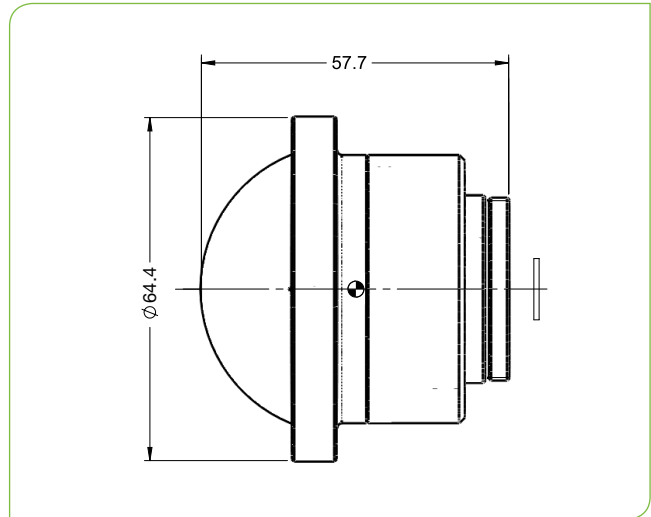


SupIR 4.2mm f/1.4, Fixed Athermalized 680240

TYPICAL ICD*



HD
FORMAT



LWIR | 1-FOV

HFOV	320x240	384x288	640x480	1024x768
17μ	74.3°	89.2°	148.9°	180°
12μ	52.5°	62.9°	104.8°	168.5°

Property	Value				
Optical					
Focal Length	4.2mm				
F#	1.4				
Average transmission (8-12μm)	94% (HD)				
Back Focal Length	12.44mm in air				
Mechanical					
Focus Mechanism	Fixed				
Depth of Field	1m to infinity				
Focus Range	0.1m to infinity				
Weight	see configurations table below				
Max. Dimensions	see configurations table below				
Environmental					
Operation Temperature	-40°C to +80°C				
Storage Temperature	-50°C to +85°C				
Sealing	IP 67 front element only				
Configurations	Weight (gr)	Dimensions	BWD**	Thread	Coating
680240-001	271	Ø64.4mm x 61.2mm	24.2	1.825-32 UNS	HD
680240-002					HC
680240-003	243	Ø64.4mm x 57.7mm	9.7	M34x0.5	HD
680240-004					HC

* The ICD drawing provided here is primarily a representation and may not accurately reflect the product's actual dimensions and specifications. For precise integration specifications contact your local sales representative.

** The BWD value is calculated for a unique detector setup with varying sealing windows in terms of thickness and material. For more details, contact your local sales representative.